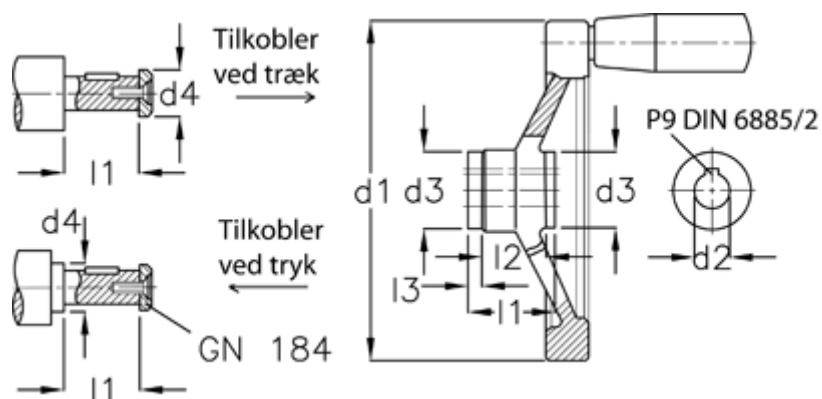


Article number: 20370316

Description: E+G Handwheel
GN 321.4-160-K16-D-ZI

Measures



$d1$	=	160
$d2$ H7	=	16
$d3$	=	32
$d4$ max	=	21
$l1$	=	32.5
$l2$	=	20
$l3$	=	6